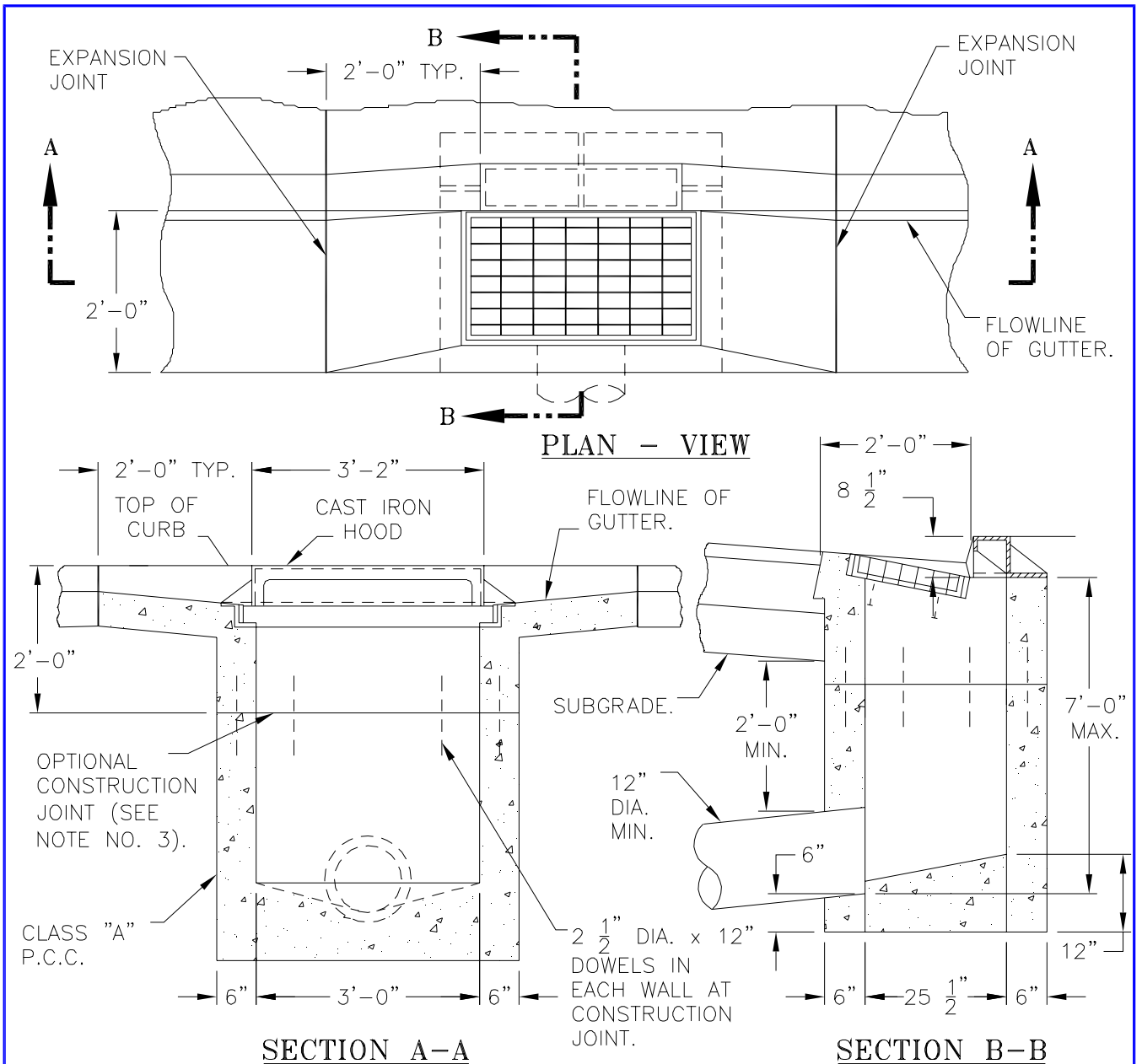


NOTES:

1. THIS INSTALLATION TO BE USED ONLY WITH APPROVAL OF THE CITY ENGINEER.
2. OWNER SHALL BE RESPONSIBLE FOR CLEANING AND MAINTAINING PIPE.
3. SEE STANDARD DWG NO. 40 FOR PAVEMENT STRUCTURAL SECTION.
4. ENCROACHMENT PERMIT REQUIRED FOR THIS INSTALLATION.
5. PIPE SHALL BE NON-BELL DUCTILE IRON OR 12 GAGE GALV. STEEL OR ABS OR SCHEDULE 40 PLASTIC PIPE.

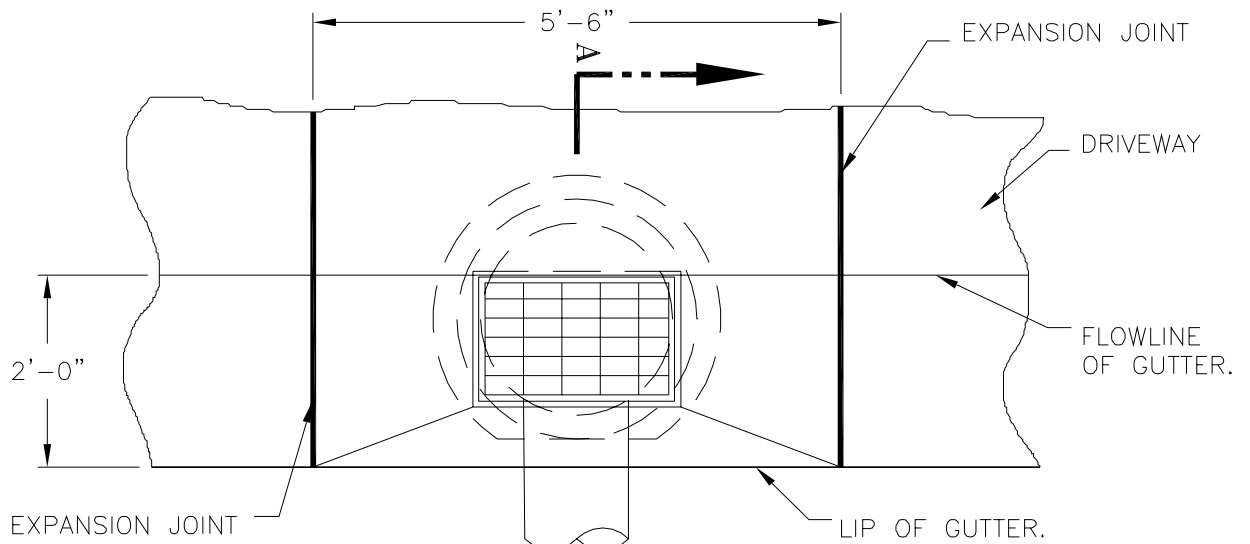
REV. NO.	REV. DATE	REV. BY	PARKING LOT AND UNDER SIDEWALK DRAIN	REVISION APPROVED BY CITY ENGINEER		
3	6/1/2000	HLE/RH		 DATE: 01/09/02		
DIGITIZED			1/1/92	CITY OF STOCKTON DEPARTMENT OF PUBLIC WORKS		
DWG. BY	RC	SCALE	SUPERCEDES DWG. DATED			DRAWING NO.
CK. BY		NONE	10/7/93			81



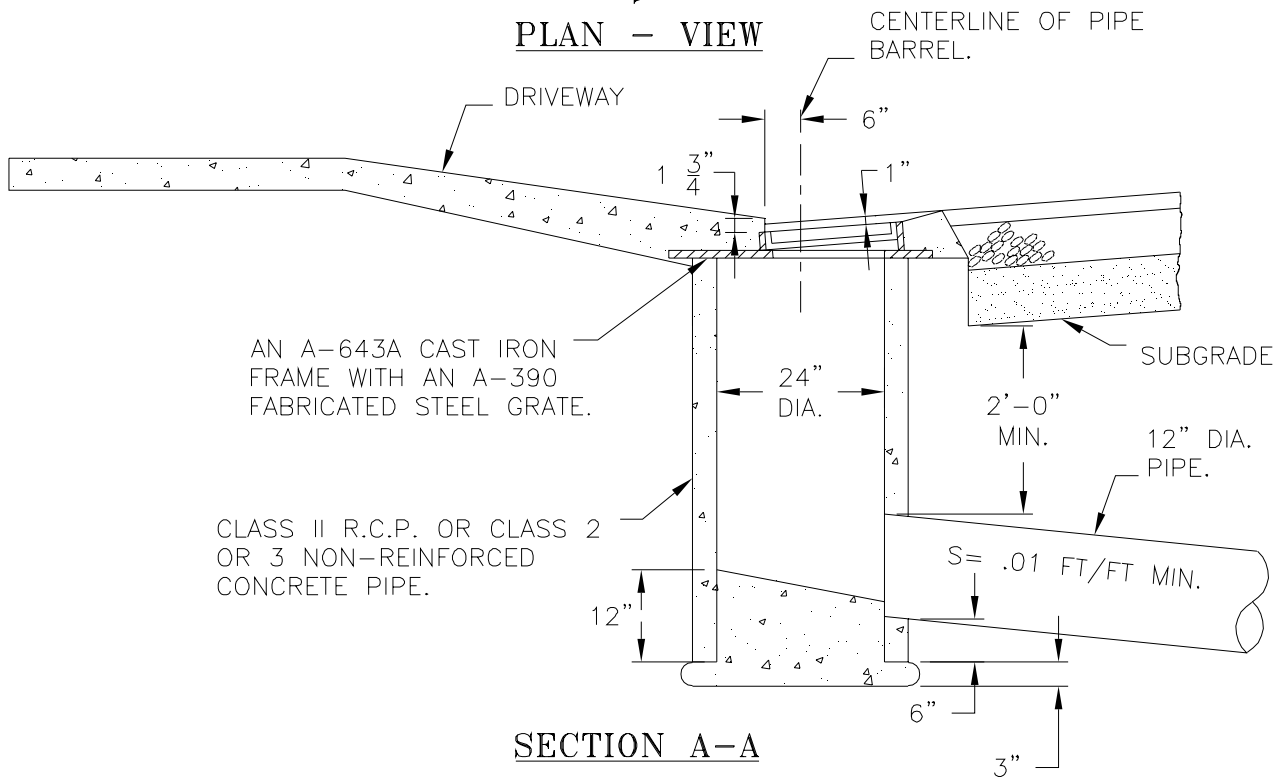
NOTES:

1. HOOD SHALL BE CAST IRON AND BE EQUAL TO AN A-285. FRAME AND GRATE SHALL BE EQUAL TO AN A-553 WITH CHAIN AND BLACK FINISH.
2. PRE CAST CONCRETE CATCH BASIN MAY BE USED WITH THE WRITTEN APPROVAL OF THE CITY ENGINEER.
3. CATCH BASIN WALLS MAY BE POURED TO AN ELEVATION NOT LESS THAN 2'-0" BELOW TOP OF CURB. IT SHALL BE THE RESPONSIBILITY OF THE CONTRACTOR TO FRAME IN AND POUR THE UPPER 2'-0" OF THE CATCH BASIN MONOLITHICALLY WITH THE CURB AND GUTTER.
4. ALL EXPOSED STEEL SHALL BE COATED WITH 2 COATS OF COAL TAR PITCH HEATED TO A MINIMUM OF 180°F OR GALVANIZED.
5. THIS CATCH BASIN TO BE INSTALLED IN INDUSTRIAL AND COMMERCIAL AREAS AS DIRECTED BY THE CITY ENGINEER.
6. TOP OF CURB SHALL BE STAMPED PER DWG. NO. 201H.

REV. NO.	REV. DATE	REV. BY	TYPE 2 CURB INLET CATCH BASIN	REVISION APPROVED BY CITY ENGINEER	
3	6/1/2000	HL/EA		Finbar J. O'Regan	
DIGITIZED	1/1/92			DATE: 11/25/03	
DWG. BY	RC	SCALE	CITY OF STOCKTON DEPARTMENT OF PUBLIC WORKS	SUPERCEDES DWG. DATED	DRAWING NO.
CK. BY		NONE		01/09/02	80



PLAN - VIEW

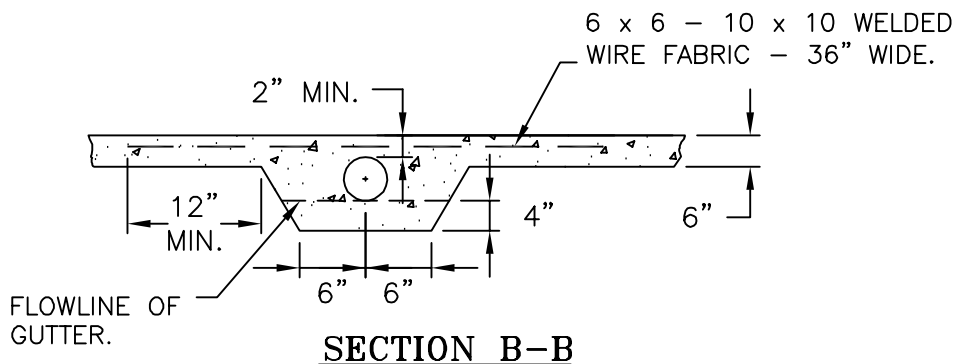
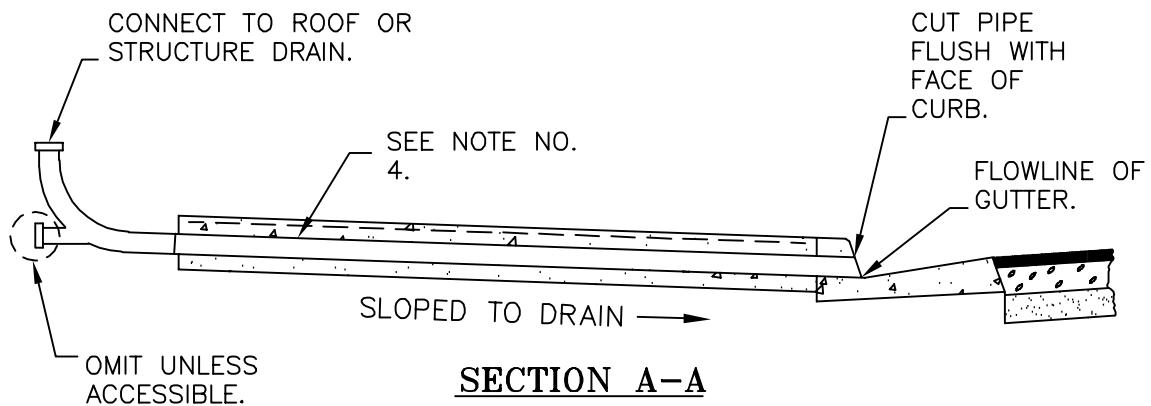
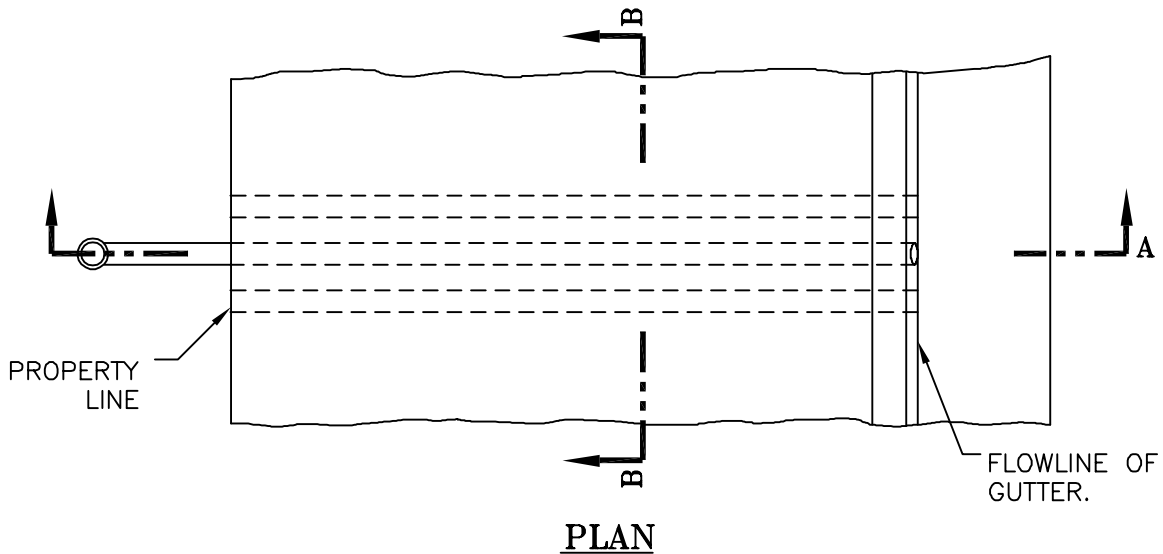


SECTION A-A

NOTES:

1. ALL EXPOSED STEEL SHALL BE COATED WITH 2 COATS OF COAL TAR PITCH HEATED TO A MINIMUM OF 180°F OR GALVANIZED.
2. CHAIN GRATE TO FRAME.
3. GRATE SHALL BE DEPRESSED 1" BELOW GUTTER PROFILE GRADE.
4. TOP OF CURB SHALL BE STAMPED PER DWG. NO. 201H.

REV. NO.	REV. DATE	REV. BY	DRIVEWAY CATCH BASIN	REVISION APPROVED BY CITY ENGINEER	
2	6/1/94	KB/DE		Finbar J. O'Regan	
DIGITIZED 1/1/92			CITY OF STOCKTON DEPARTMENT OF PUBLIC WORKS	DATE: 01/09/02	
DWG. BY	RC	SCALE		SUPERCEDES DWG. DATED	80A
CK. BY		NONE		7/1/84	



NOTES:

1. THIS INSTALLATION TO BE USED ONLY WITH THE APPROVAL OF THE CITY ENGINEER.
2. OWNER SHALL BE RESPONSIBLE FOR MAINTAINING AND CLEANING PIPE.
3. ENCROACHMENT PERMIT REQUIRED FOR THIS INSTALLATION.
4. PIPE SHALL BE NON-BELL DUCTILE IRON OR 12 GAGE GALV. STEEL OR ABS OR SCHEDULE 40 PLASTIC PIPE.

REV. NO.	REV. DATE	REV. BY	UNDER SIDEWALK DRAIN FOR ROOF DRAINS	REVISION APPROVED BY CITY ENGINEER	
3	6/1/2003	HL/EA		Finbar J. O'Regan	
DIGITIZED	1/1/92		CITY OF STOCKTON	SUPERCEDES DWC. DATED	DRAWING NO.
DWC. BY	RC	SCALE	DEPARTMENT OF PUBLIC WORKS	1/9/02	82
CK. BY		NONE			